



Roller Blinds

The roller blinds are now firmly established as the most popular shading system for houses and workplaces, meeting the contemporary lifestyle requirements.

In addition to their high standard technical design, due to the colour and patterns variety, the roller blinds offer great possibilities for esthetical interior decoration combined with right and proper solar protection.

The designer has the choice of an extremely wide range of colours and patterns and adequate specifications for each place i.e.



- Solar Protective Coating
- Black out



- Ultra Fresh
- Dim out

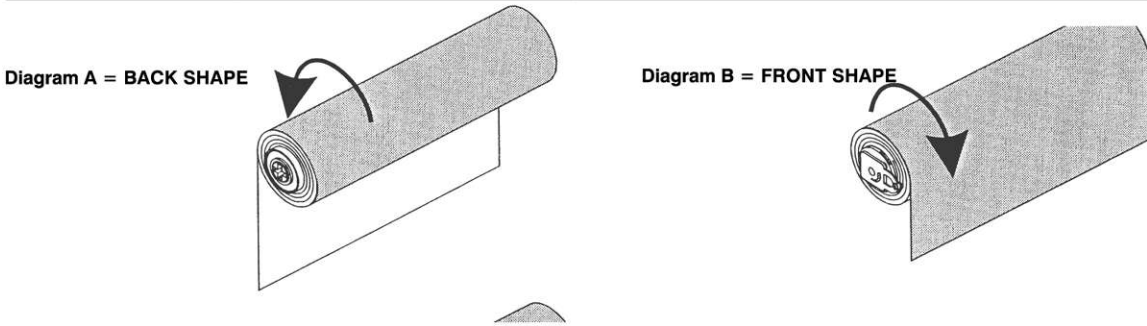


- Stain Resistant
- Screen



- Fire retardant

ROLLING METHODS

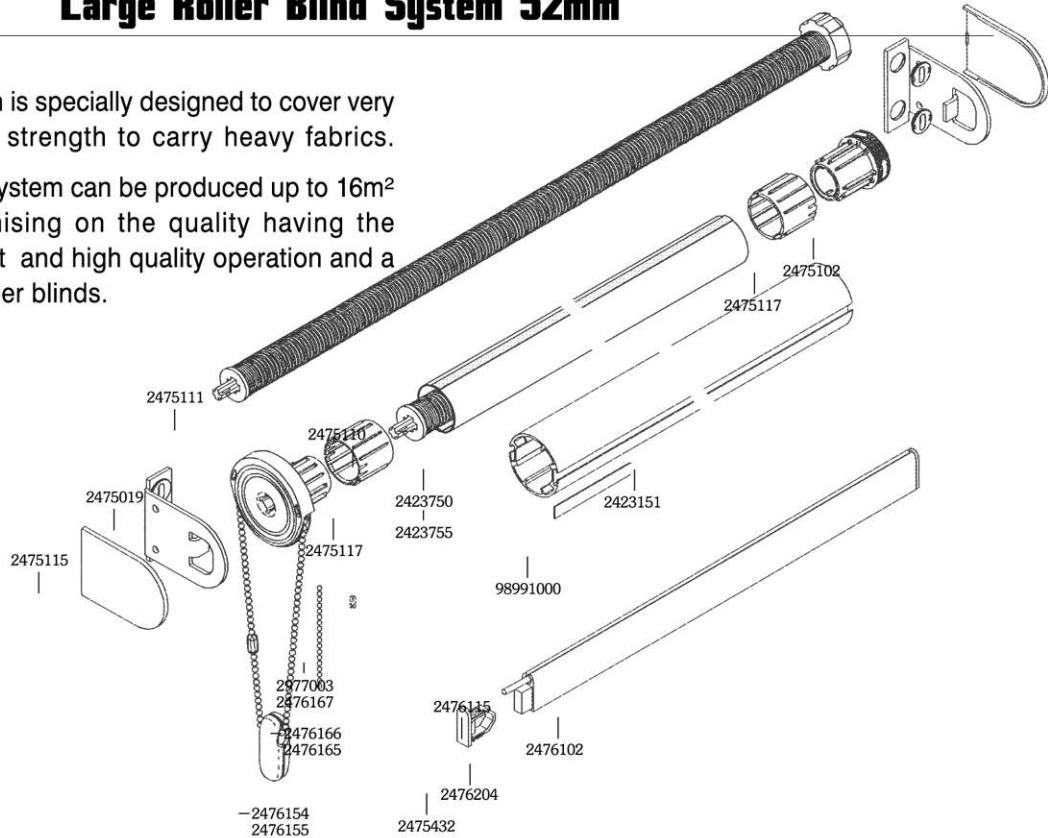


Large Roller Blind System 52mm

The large roller blind system is specially designed to cover very large blinds and with the strength to carry heavy fabrics.

With the Large roller blind system can be produced up to 16m² blinds without compromising on the quality having the advantages of smooth, fast and high quality operation and a very elegant design for larger blinds.

- aluminium tube 52mm with a track for spline system that makes possible to dismount the fabric from the tube for cleaning or service purposes.
- bottom rail 34x12mm with optional additional inserted weight
- chain operation with steel or PVC chain



Roller Blinds in Box with Side Guides

- The main features of this system are:
 - reinforced construction
 - total darkness due to fixation into side guides.
 - possibility of large areas covering
 - motorization on request



Roller Blinds

TECHNICAL SPECIFICATIONS & FEATURES

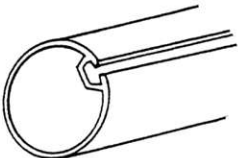
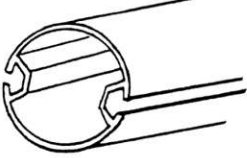
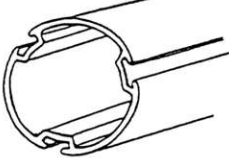

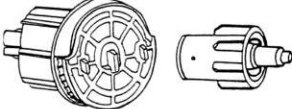
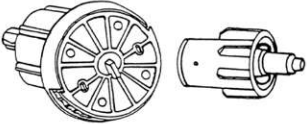
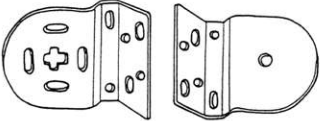
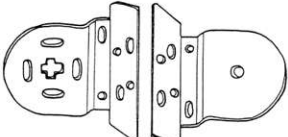
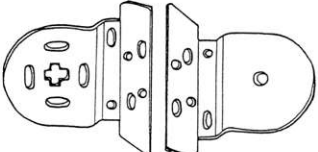



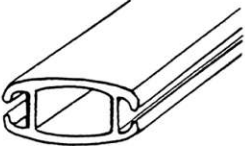

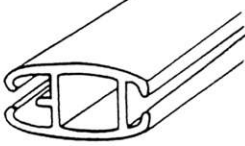

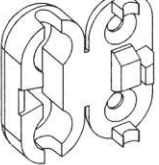

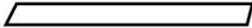
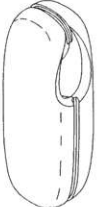

CATEGORIES OF ROLLER BLIND FABRICS

- **SOLAR PROTECTIVE COATING (SPC)** – The back applied coating is an SPC reflecting coating which upgrades their efficiency. The fabrics with SPC coating are reflecting the solar radiation better than conventional materials. Designed specifically to comply with the optical and solar characteristic demanded by the EEC Health & Safety Directive 90/270, they are improving also the working conditions of the computer users. The reduced solar heat gain owing to the better reflection provides lower cooling costs. Therefore the SPC fabrics are the ideal solution for shading any work areas or domestic use.
- **BLACK OUT** – The black out fabrics offer high opacity being the best solution for bedrooms, television places, conference rooms.
- **DIM OUT** – They ensure balanced light transmission inside, being ideal for living rooms, children's rooms, school rooms, nursery, libraries, etc.
- **SCREEN** – Perforated fabrics enable visual contact with the outside place ensuring the same time effective control on lighting and solar protection inside. They are recommended in showrooms and public institutions in general.
- **FILMS** – with special solar reflective coating, they provide anti-glare protection indoors and invisibility from outside being a practical solution for control tower in airports and computer workplaces.
- **ULTRA FRESH** – Fabrics with antibacterial coating which reduce the bacteria, micro-organism and MRSA multiply. Providing also effective antifungal properties they preserve hygienic freshness and are the correct shading solution for hospitals, laboratories, beauty salons, etc.
- **STAIN RESISTANT** – fabrics with anti dust and stain resistant characteristics.
- **BAKA SAVE** – Roller blinds made with BakaSave are able to absorb harmful and bad smelling substances and to convert them in a catalytic process into un-harmful substances like e.g., water and carbon dioxide. Permanently!
- **FIRE RETARDANT** – A category of roller fabrics are fire retardant, complying with various international standards depending on the fabric tested. Some of them are
FTS17 - BS 5867 1980 PART2 TYPE B
DIN 4102 B1 - DIN 4102 B2 - AFNOR 92-503
Can/ULC-S-109-M87 92-503 - NFPA 701
(Small and Large)

MECHANISM SPECIFICATION AND FEATURES

- **CONTROL** – The blinds are manually or electrical operated through the following control systems:
 - CHAIN SYSTEM – PLASTIC OR METAL
 - SPRING SYSTEM
 - SIDE CHANNEL
 - MOTORISED
- **THE ROLLER TUBE** is made of aluminium and depending the width of the blind, they are used various types : 32, 40 and 45mm diameter.
- **THE BOTTOM BAR** is available in PVC or aluminium and is covered with the same roller fabric for esthetical reasons. For the optional finishing requirement, there is available another profile for the bottom bar with an additional channel which offer the possibility to be inserted decorative finishes.
- **THE FINISHING** – usually the finishing is simple, with only the bar at the bottom. Optionally are provided a wide variety of special finishes.
- **FINISHES** – are in various shapes (Classic, Colonial, Provence, Castille, Temple, SC-1, SC 5, SC-10, SC11, SC-12) All these shapes are illustrated on the roller blind catalogue. It is also possible to be decorated with fringes and for the particular meander shape finishing various rods and finials could be selected.
- **THE ROLLING WAY** is BACK or FRONT SHAPE. The fabric could be inserted behind or in front of the roller tube resulting the rolling on the back or on the front of the blind as illustrated on drawing A or B.
- **CHAIN WEIGHT** – the weight is adding style to the roller blind and keeps the chain tensioned.
- **CHAINS AND CHAIN WEIGHTS** are available in various colours matching with the roller blind fabrics.
- **MOTORISED** operation could be provided on request. The motor could be controlled manually by switch, automatic by remote control or solar sensor.
- **MADE ON MEASURE** – The roller blinds are manufactured on the specific dimensions required, providing a perfect fitting.

ROLLER BLIND MECHANISM 32,40,45MM

SYSTEM 32MM	SYSTEM 40MM	SYSTEM 45MM
<p>RT32 Aluminium Roller Tube</p> 	<p>RT40 Aluminium Roller Tube</p> 	<p>RT45 Aluminium Roller Tube</p> 
<p>RM32 Roller Mechanism</p> 	<p>RM40 Roller Mechanism</p> 	<p>RM45 Roller Mechanism</p> 
<p>RBR32 Roller Metal Brackets</p> 	<p>RBR40 Roller Metal Brackets</p> 	<p>RBR45 Roller Metal Brackets</p> 
<p>RCB32 Plastic Cover for Roller Bracket</p> 	<p>RCB40 Plastic Cover for Roller Bracket</p> 	<p>RCB45 Plastic Cover for Roller Bracket</p> 
<p>RBR-P PVC Bottom Bar RBR-AL Aluminium Bottom Bar</p> 	<p>PCH4.5WH Plastic Chain 4.5mm pitch 6mm</p> 	<p>RBRF-P PVC Bottom Bar for finishing RBRF-AL Aluminium Bottom Bar for finishing</p> 
<p>RBRE Plastic end Cap for Bottom Bar</p> 	<p>RBCC Joint for Plastic Chain 4.5mm</p> 	<p>RBRE-F Plastic end Cap for Bottom Bar for finishing</p> 
<p>LTAPE7 Polyester Security Tape LTAPE8 Polyester Security Tape</p> 	<p>247605 Chain Weight</p> 	<p>PLSTAD7 Plastic Strip Adhesive Tape 7mm</p> 

Roller Blind in Box with Side Guides



- The main features of this system are:
 - reinforced construction
 - total darkness due to fixation into side guides.
 - possibility of large areas covering
 - motorization on request

